

Air Tap

Satin Stainless Steel

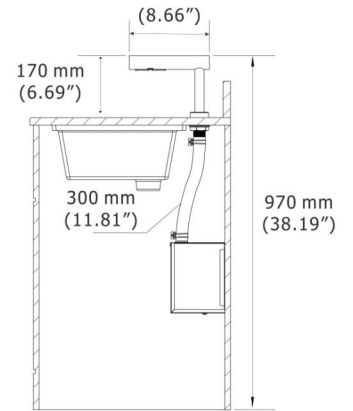
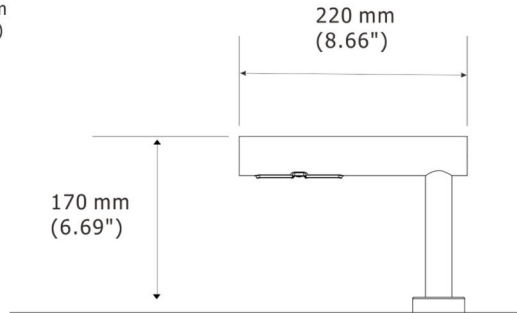
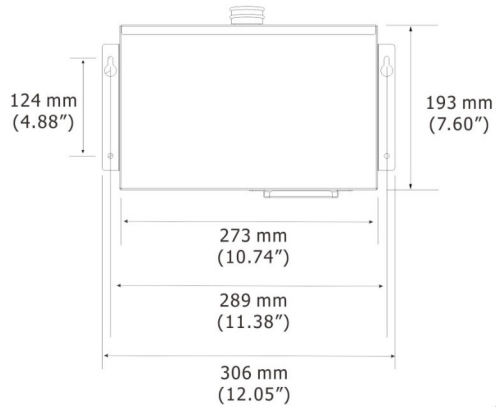


Technical Specifications

Voltage	Voltage 220/240v - / 50Hz
Power	500 – 1000w
Dimensions (H x L)	170mm x 220mm
Noise Level	68 - 71dB at 1m
Cover Material	Satin Stainless Steel
Material	Stainless Steel

* Tech Spec subject to change without previous notice. ** Calculations based on 150 uses a day | Based on manufacturer's stated figures.

Specification



Demonstration only. Dimensions depending on desk thickness.

“Hand drying made simple. No mess, no wall space, functional and elegant”

Overview

Eco-efficient high speed hand drying in it's most simple and elegant format. No mess and no water on the floor.

No need to use up precious wall space, Air-Tap provides a touch free efficient solution negating water on the floor.

Easy to clean and operate, the Air Tap incorporates Intelligent Temperature Control (ITC) and Smart Air Outlet Technology (MAOT).



AVERAGE RUN COST
(PER ANNUM)**



AVERAGE DRYING
TIME (SECONDS)



WARRANTY
(YEARS)

High Speed Drying



Intelligent Temperature



LED Indication



Low Noise Level



Adjustable Power Output



Low Energy Use



Stainless Steel Construction

